



LIFAN

Parts Catalog

LF150-7

2018 Edition



UNIVERSAL

H A R D W A R E[®]

Box 585, Center Road
Spanish Lookout
Tel 501 823 0254
sales@universalhardware.bz

3380 Chetumal Street
Belize City
Tel 501 224 4140
salesbz@universalhardware.bz



ML100-A



LF110-7A



LF1200DT



ML125-5



ML125-7



ML125T-26



LF150-7



LF150GY-3B



LF200GY-4



LF250GY-4



LF150-10F



LF150-10S



ML200-16D



ML250-4



ML200ZH-3

F-01 前照灯总成 HEADLIGHT ASSY



15071-1	Headlight Assy	
15071-2	Bulb 12V-35W/35W	
15071-3	Bulb 12V-5W	
15071-4	LED Headlight Bulb	
15071-5	LED Brakelight Bulb	
15071-6	LED Singlelight Bulb	



15072-1	Steering Bar Weight Set	
15072-2	Grip,LH	
15072-3	Clutch Lever	
15072-4	Handlebar Switch,LH	
15072-5	Throttle Cable	
15072-6	Rearview Mirror,LH	
15072-7	Rearview Mirror,RH	
15072-8	Clutch Cable	
15072-9	Handlebar Switch,RH	
15072-10	Grip,RH	

F-03 仪表总成 METERS ASSY



15073-1	Meter Assy	
15073-2	Odometer Cable Comp.	



15074-1	Steering Stem	
15074-2	Steering Stem Bearing Set	
15074-3	Steel Ball	
15074-4	Steel Ball	
15074-5	Top Steering Stem Connection Board Comp.	
15074-6	Steering Bar Pipe Comp.	
15074-7	Steering Stem Adjusting Nut	
15074-8	Top Steering Stem Connection Board	
15074-9	Adjusting Bolt, Steering Stem	
15074-10	Steering Stem Comp	



15075-1	Odometer Cable Grommet	
15075-2	Front Fender Comp.- Black	
15075-3	Front Fender Lining	
15075-4	Front Lience Bracket	
15075-5	Front Hydraulic Brake pipe clamp	



15076-1	Headlight Stay Comp.LH	
15076-2	Headlight Stay Comp.RH	
15076-3	Front Shock Absorber,LH	
15076-4	Front Shock Absorber,RH	
15076-5	Front Reflector	
15076-6	Front Fork Plate Stay	
15076-7	Front Plate	



15077-1	Front Axle	
15077-2	Front Brake Disc	
15077-3	Front Wheel Hub Comp.	
15077-4	Front Tyre (2.75-18)	
15077-5	Front Tube	
15077-6	Speedometer Gear Box	
15077-7	Front Wheel Righ Bush	



15078-1	Rear Wheel Bush LH	
15078-2	Rear Wheel Rim Comp.	
15078-3	Rear Tyre 110/90-16	
15078-4	Sprocket	
15078-5	Rear Wheel Buffer	
15078-6	Chain Adjuster Set	
15078-7	Rear Wheel Bush RH	
15078-8	Sprocket Hub	
15078-9	Rear Axle	
15078-10	Rear Tube	
15078-11	Sprocket install lock washers	



15079-1	Front Hydraulic Brake Assy	
15079-2	Rear Brake	
15079-3	Rear Brake Shoe Set	
15079-4	Rear Brake Shoe Spring	
15079-5	Front Brake Lever	
15079-6	Front Brake Switch	
15079-7	Front Disc Brake Pad	



150710-1	Front Cushion,Fuel Tank	
150710-2	Fuel Tank Rear Grommet	
150710-3	Fuel Tank Rear Cushion	
150710-4BA	Fuel Tank Weldment - Black	
150710-4R	Fuel Tank Weldment - Red	
150710-5BA	Side Cover,RH - Black	
150710-5R	Side Cover,RH - Red	
150710-6	Side Cover Ornament RH	
150710-7BA	Side Cover,LH - Black	
150710-7R	Side Cover,LH - Red	
150710-8	Side Cover Ornament LH	
150710-9	Fuel Sensor	
150710-10	Fuel Cock Comp.	



150711-1	Seat Assy	
150711-2BA	Rear Guard Panel - Black	
150711-2R	Rear Guard Panel - Red	
150711-3	Rear Carrier Weldment	
150711-4	Tail light cover	
150711-5	Taillight Assy	
150711-6	Rear License Plate Light Comp.	
150711-7	Bulb 12V/5W	
150711-8	Taillight Bulb 12V/25W	



150712-1	Air Cleaner Assy	
150712-2	Air Cleaner Element Set	
150712-3	Battery	
150712-4	Tool Kit	
150712-5	Battery Stay Set	



150713-1	Exhaust Muffler Comp.	
150713-2	Exhaust Muffler Gasket	



150714-1	Center Stand Shaft	
150714-2	Center Stand Spring	
150714-3	Center Stand Comp.	
150714-4	Side Stand	
150714-5	Side Stand Spring	
150714-6	Rear Brake Pedal Comp.	
150714-7	Rear Brake Pedal Spring	
150714-8	Rear Brake Link Comp.	
150714-9	Rear Brake Switch Spring	
150714-10	Rear Brake Switch	
150714-11	Rider Footrest Comp.,LH	
150714-12	Rider Footrest Comp.,RH	



150715-1	Rear Fork Shaft	
150715-2	Rear Fork Weldment	
150715-3	Rear Brake Limit Rod	
150715-4	Top Chaincase	
150715-5	Chain	
150715-6	Passenger Footrest Comp.,RH	
150715-7	Passenger Footrest Comp.,LH	
150715-8	Rear Footrest Ornament,RH	
150715-9	Rear Footrest Ornament,LH	
150715-10	Rear Fork Shaft Dust Cover Comp	



150716-1	Rear Fender	
150716-2	Rear Shock Absorber Assy	



150717-1	Front Winker,LH	
150717-2	Front Winker,RH	
150717-3	Bulb,12V 10W	
150717-4	Rear Winker,LH	
150717-5	Rear Winker,RH	



150718-1	Main Cable	
150718-2	Fuse	
150718-3	Flashing Relay	
150718-4	Horn	
150718-5	Lock Assy	
150718-6	Seat Cable	
150718-7	Voltage Regulator	
150718-8	Ignition Controller	
150718-9	Ignition Coil	
150718-10	Starting Relay	



150719-1	Frame Weldment	
150719-2	Engine Front Suspension Plate	
150719-3	Engine Top Left Suspension Plate	
150719-4	Engine Top right Suspension Plate	

162FMJ

Engine Parts

LF150-7

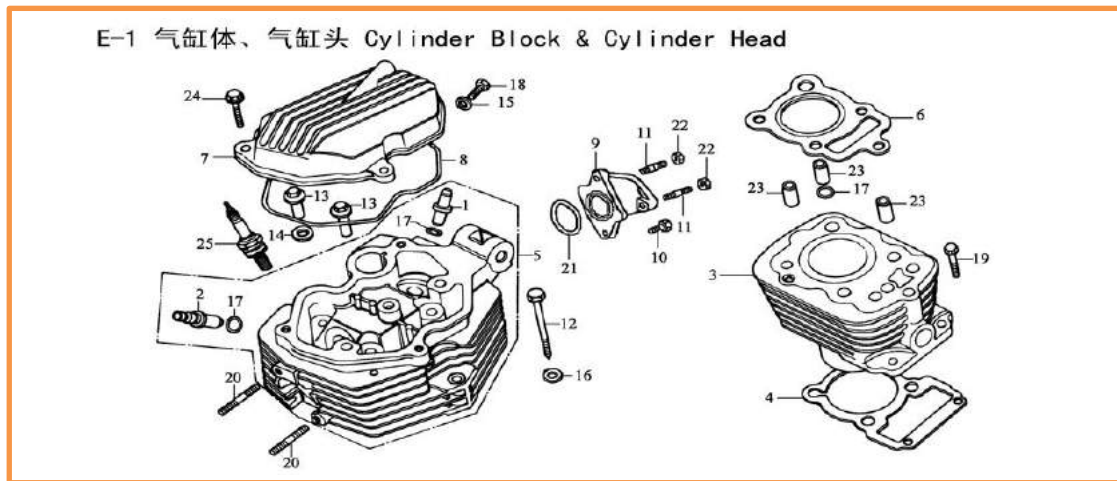


UNIVERSAL

H A R D W A R E®

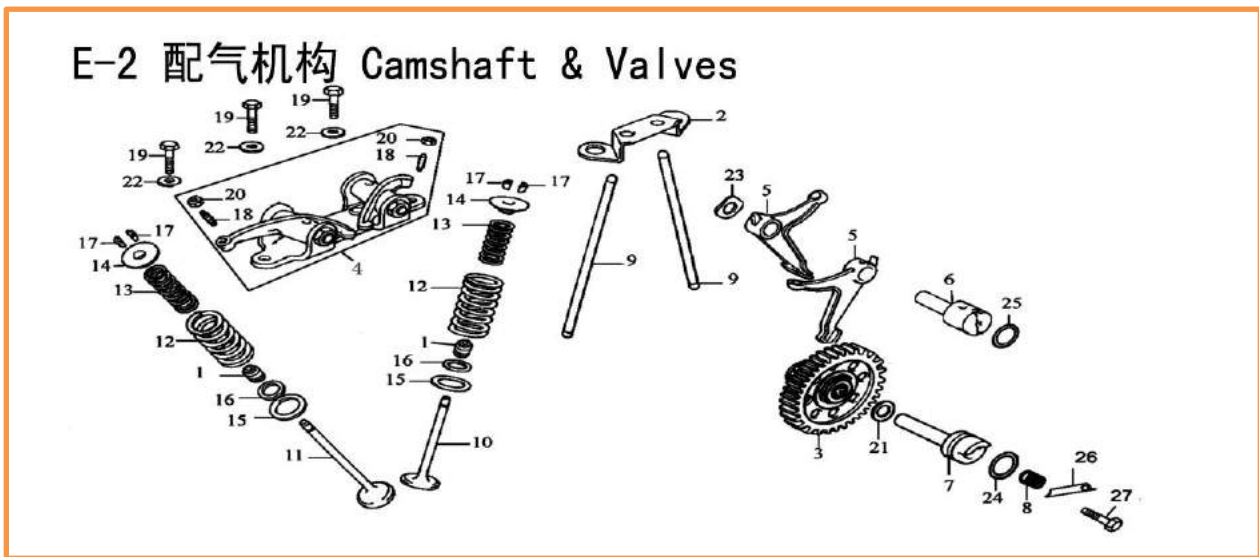
Box 585, Center Road
Spanish Lookout
Tel 501 823 0254
sales@universalhardware.bz

3380 Chetumal Street
Belize City
Tel 501 224 4140
salesbz@universalhardware.bz



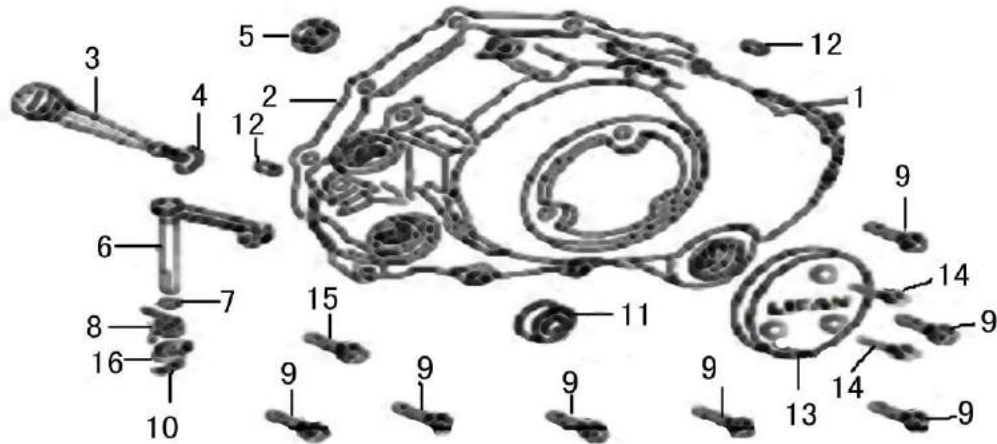
16271-1	Intake Valve Guide	
16271-2	Exhaust Valve Guide	
16271-3	Cylinder Block Comp.	
16271-4	Cylinder Block Gasket	
16271-5	Cylinder Head Comp.	
16271-6	Cylinder Head Gasket	
16271-7	Cylinder Head Cover	
16271-8	Cylinder Head Cover Gasket	
16271-9	Intake Pipe Set	
16271-10	Bolt M6x20	
16271-11	Stud M6x22	
16271-12	Stud M8x77	
16271-13	Cap Nut	
16271-14	Cylinder Bolt Steel Washer	
16271-15	Cylinder Head Cover Oil Passage Washer 6	
16271-16	Cylinder Head Washer liφ8	
16271-17	O-Ring,Guide	
16271-18	Bolt M6x12	
16271-19	Bolt M6x22	
16271-20	Bolt M6x35	
16271-21	Inlet Pipe O-Ring 33.5x3	
16271-22	Nut M6	
16271-23	Cylinder Head Dowel Pin 10x20	
16271-24	Bolt M6x28	
16271-25	Spark Plug(D8ea Ngk)	

E-2 配气机构 Camshaft & Valves

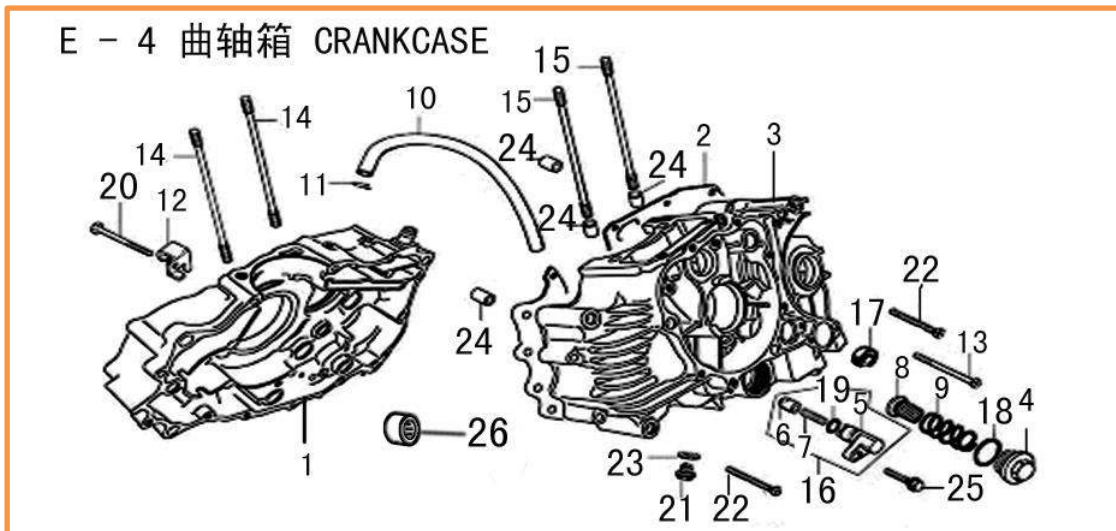


16272-1	Valve Stem Oil Seal	
16272-2	Push Rod Support	
16272-3	Timing Driven Gear	
16272-4	Rocker Arm Bracket Comp.	
16272-5	Lower Rocker Arm	
16272-6	Lower Rocker Arm Shaft	
16272-7	Camshaft	
16272-8	Camshaft Spring	
16272-9	Push Rod	
16272-10	Intake Valve	
16272-11	Exhaust Valve	
16272-12	Valve Outer Spring,	
16272-13	Valve Inner Spring	
16272-14	Valve Spring Retainer	
16272-15	Valve Outer Spring Seat	
16272-16	Valve Inner Spring Seat	
16272-17	Valve Split Cone	
16272-18	Valve Adjusting Screw	
16272-19	Bolt M8x28	
16272-20	Valve Clearance Adjusting Nut	
16272-21	Camshaft Washer	
16272-22	Rocker Shaft Washer	
16272-23	Lower Rocker Wavy Washer	
16272-24	Camshaft O-Ring 20x2.5	
16272-25	Lower Rocker O-Ring 17x2.5	
16272-26	Camshaft Stopper	
16272-27	Bolt M6x12	

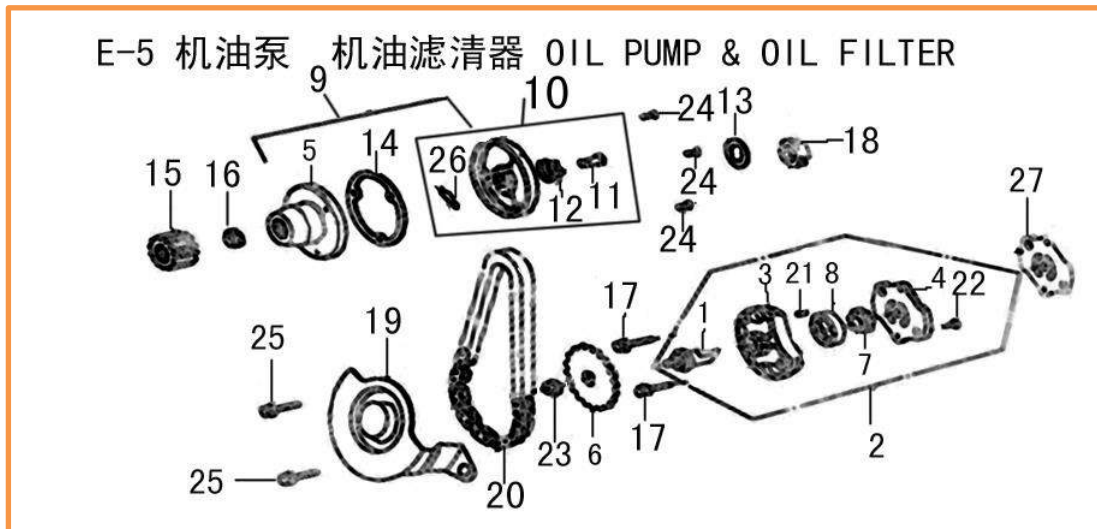
E-3 右曲轴箱盖 RIGHT CRANKCASE COVER



16273-1	Crankcase Cover,RH	
16273-2	Crankcase Cover Gasket, RH	
16273-3	Dipstick	
16273-4	Dipstick O-Ring, 18x3	
16273-5	Sight Glass	
16273-6	Clutch Lever Comp.	
16273-7	Clutch Lever O-Ring	
16273-8	Clutch Lever Spring	
16273-9	Screw, M6x40	
16273-10	Clutch Lever Pin	
16273-11	Oil Seal, 16x28x7	
16273-12	Crankcase Cover Dowel Pin RH 8x14	
16273-13	Small Lid, RH	
16273-14	Screw, M6x8	
16273-15	Screw, M6x50	
16273-16	Clutch Separating Cam	

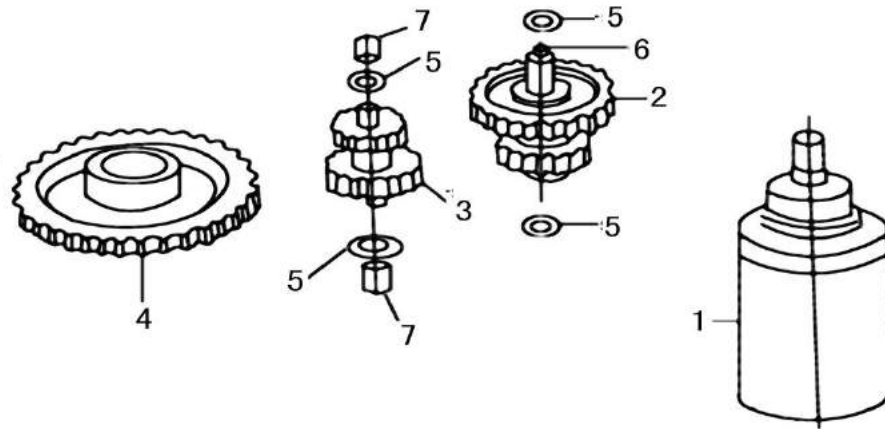


16274-1	Crankcase Comp.,RH	
16274-2	Crankcase Gasket	
16274-3	Crankcase Comp.,LH	
16274-4	Oil Filter Screen Cover	
16274-5	Pin-Keeping Body	
16274-6	Pin-Keeping	
16274-7	Pin-Keeping Spring	
16274-8	Oil Filter Screen	
16274-9	Oil Filter Screen Spring	
16274-10	Crankcase Waste Pipe	
16274-11	Crankcase Waste Pipe Clip	
16274-12	Clutch Cable Adjusting Stay	
16274-13	Bolt, M6x95	
16274-14	Stud A	
16274-15	Stud B	
16274-16	Pin-Keeping Body Comp.	
16274-17	Gearshift Shaft Oil Seal, 14x28x7	
16274-18	Oil Filter Cover O-Ring, 35.5x3	
16274-19	Crankcase O-Ring, LH 13x2.5	
16274-20	Bolt, M6x55	
16274-21	Drain Plug	
16274-22	Bolt, M6x50	
16274-23	Drain Plug Washer	
16274-24	Crankcase Dowel Pin, 10x14	
16274-25	Bolt, M6x20	
16274-26	Needle Bearing 212810	



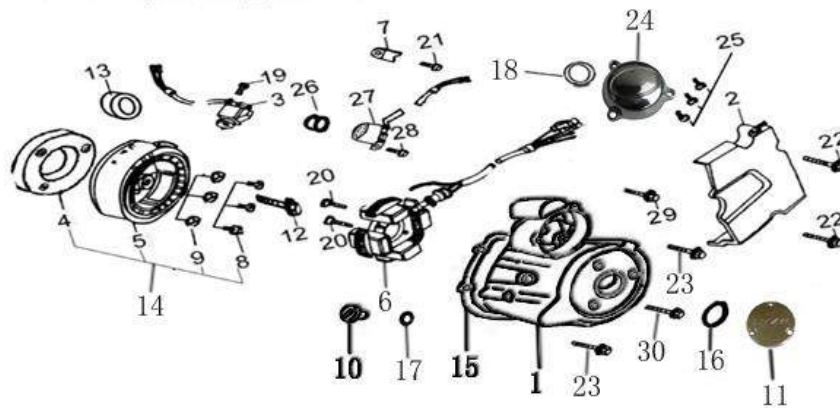
16275-1	Oil Pump Shaft	
16275-2	Oil Pump Assy	
16275-3	Oil Pump Body	
16275-4	Oil Pump Cover	
16275-5	Oil Filter Rotator Comp.	
16275-6	Oil Pump Driven Gear	
16275-7	Oil Pump Inner Rotor	
16275-8	Oil Pump Outer Rotor	
16275-9	Oil Filter Assy	
16275-10	Filter Cover	
16275-11	Crankshaft Oil Pipe	
16275-12	Crankshaft Oil Pipe Spring	
16275-13	Primary Drive Gear Thrust Washer	
16275-14	Oil Filter Cover Gasket	
16275-15	Primary Drive Gear	
16275-16	Oil Pump Driving Gear	
16275-17	Bolt, M6x35	
16275-18	Primary Drive Gear Locknut	
16275-19	Oil Pump Chain Limiter	
16275-20	Oil Pump Chain	
16275-21	Oil Pump Dowel Pin	
16275-22	Screw, M3x8	
16275-23	Nut, M6	
16275-24	Screw, M5x12	
16275-25	Bolt, M6x12	
16275-26	Oil Filter Snap Ring	
16275-27	Oil Pump Gasket	

E-6 起动机电机 Starting Motor



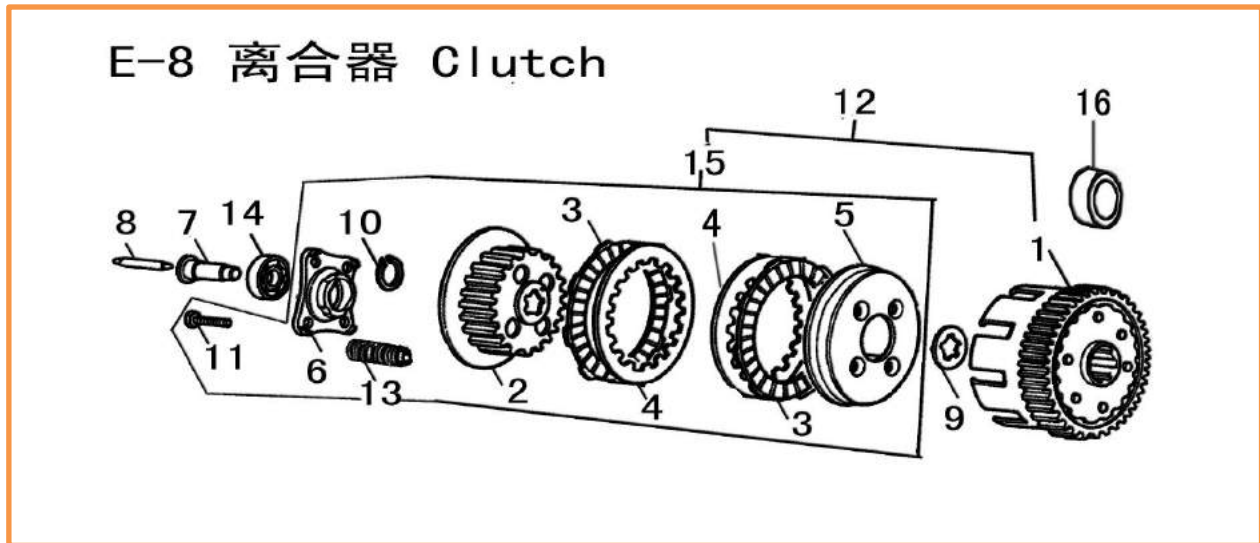
16276-1	Starting Motor Assy	
16276-2	Dual-Gear Comp. I	
16276-3	Dual-Gear Comp. II	
16276-4	Starting Clutch Gear Comp.	
16276-5	Dual-Gear Washer	
16276-6	Dual-Gear Shaft Comp.	
16276-7	Needle Bearing Hk101410	

E-7 磁电机 Magneto

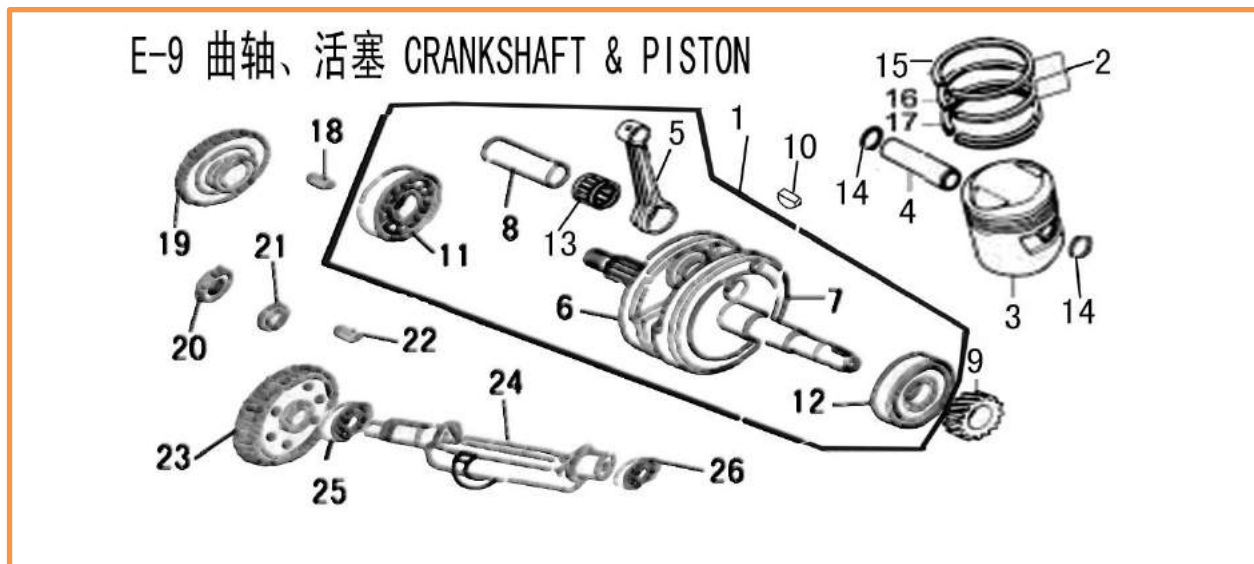


16277-1	Crankcase Cover, LH	
16277-2	Rear Cover, LH	
16277-3	Induction Coil	
16277-4	Starting Clutch Assy	
16277-5	Magneto Rotor Comp.	
16277-6	Magneto Stator Comp.	
16277-7	Magneto Wire Clip	
16277-8	Screw M8x30	
16277-9	Spring Washer $\Phi 8$	
16277-10	View Hole Plug	
16277-11	Small Lid, RH	
16277-12	Locknut, Magneto	
16277-13	Crankshaft Oil Seal,LH(50x34x7)	
16277-14	Magneto Rotor Assy	
16277-15	Crankcase Cover Gasket,LH	
16277-16	Plug O-Ring 27.5x2.5	
16277-17	Watch Hole Plug O-Ring 13.8x2.5	
16277-18	O-Ring 63x3	
16277-19	Screw M5x16	
16277-20	Screw M5x30	
16277-21	Bolt M6x12	
16277-22	Bolt M6x28	
16277-23	Bolt M6x40	
16277-24	Idler Cover	
16277-25	Screw M6x20	
16277-26	Neutral Indicator Oil Seal	
16277-27	Indicator, Gear	
16277-28	Bolt M6x12	
16277-29	Bolt M6x25	
16277-30	Bolt M6x50	

E-8 离合器 Clutch

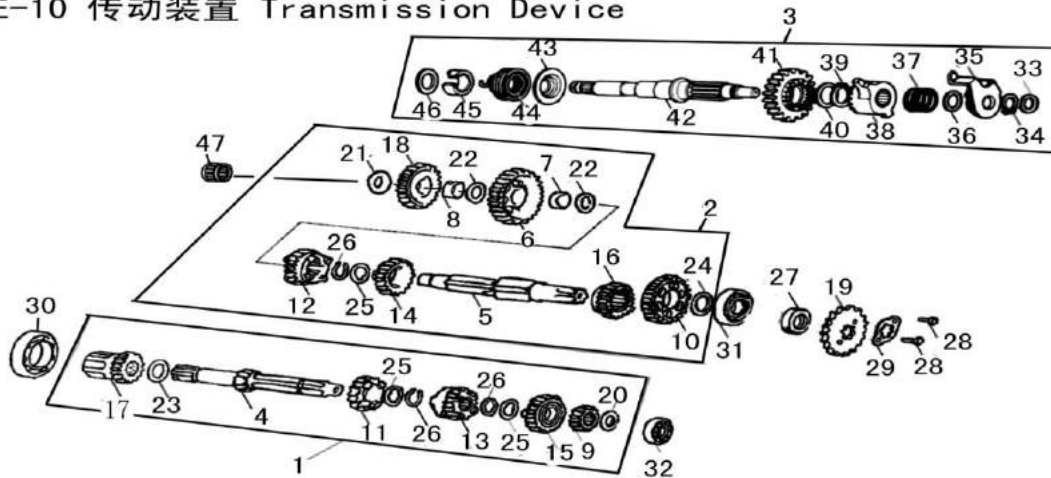


16278-1	Drive Disc Set	
16278-2	Driven Disc Set	
16278-3	Drive Plates	
16278-4	Driven Plates	
16278-5	Clutch Pressure Plate	
16278-6	Clutch Lifter Plate	
16278-7	Clutch Pusher	
16278-8	Clutch Mandrel	
16278-9	Clutch Spline Washer	
16278-10	Circlip 17	
16278-11	Bolt M6x25	
16278-12	Clutch Main Body	
16278-13	Clutch Spring	
16278-14	Bearing 6001	
16278-15	Driven Disc Assy	
16278-16	Clutch Thrust Sleeve	



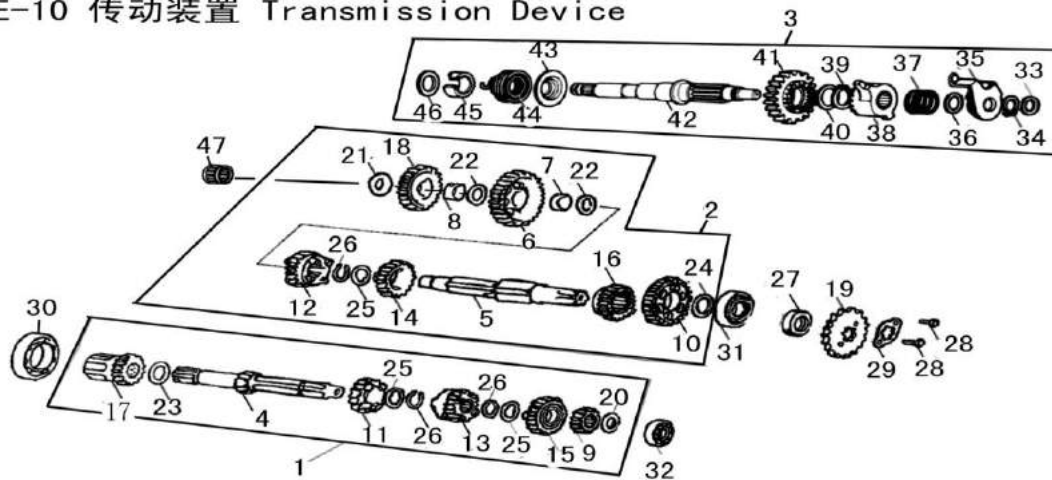
16279-1	Crankshaft & Connecting Rod	
16279-2	Piston Ring Set	
16279-3	Piston	
16279-4	Piston Pin	
16279-5	Connecting Rod	
16279-6	Crankshaft, RH	
16279-7	Crankshaft, LH	
16279-8	Crankshaft Pin	
16279-9	Timing Drive Gear	
16279-10	Crankshaft Woodruff Key	
16279-11	Crankshaft Bearing, RH	
16279-12	Crankshaft Bearing, LH	
16279-13	Connecting Rod Big End Bearing	
16279-14	Piston Pin Circlip	
16279-15	Piston Ring I	
16279-16	Piston Ring II	
16279-17	3-Piece Oil Ring	
16279-18	Woodruff Key	
16279-19	Balanced Shaft Driving Gear	
16279-20	Locknut	
16279-21	Washer	
16279-22	Flat Key	
16279-23	Balanced Shaft Driven Gear	
16279-24	Balanced Shaft	
16279-25	Bearing, 6303 (17x47x14)	
16279-26	Bearing, 6203 (17x40x12)	

E-10 传动装置 Transmission Device



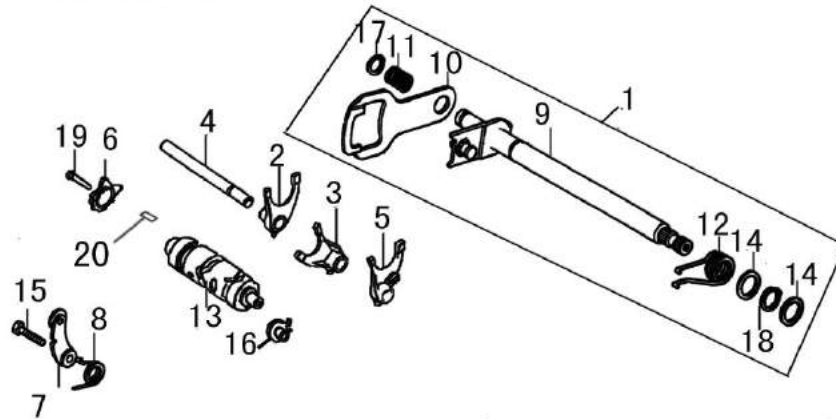
162710-1	Mainshaft Assy	
162710-2	Countershaft Assy	
162710-3	Starting Shaft Assy	
162710-4	Mainshaft	
162710-5	Countershaft	
162710-6	Countershaft First Gear	
162710-7	Countershaft 1st Gear Bush	
162710-8	Starting Mid-Gear Bush	
162710-9	Mainshaft 2nd Gear	
162710-10	Countershaft 2nd Gear	
162710-11	Mainshaft 3rd Gear	
162710-12	Countershaft 3rd Gear	
162710-13	Mainshaft 4th Gear	
162710-14	Countershaft 4th Gear	
162710-15	Mainshaft 5th Gear	
162710-16	Countershaft 5th Gear	
162710-17	Starting Driven Gear Comp.	
162710-18	Starting Mid-Gear Comp.	
162710-19	Output Sprocket	
162710-20	Mainshaft Washer	

E-10 传动装置 Transmission Device



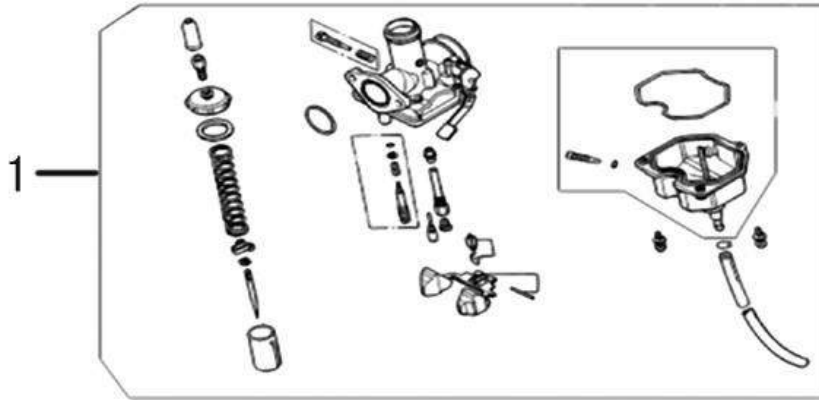
162710-21	Starting Mid-Gear Washer	
162710-22	Countershaft Washer	
162710-23	Washer	
162710-24	Countershaft Washer II	
162710-25	Mainshaft Spline Washer	
162710-26	Circlip	
162710-27	Oil Seal 20x34x7	
162710-28	Bolt M6x10	
162710-29	Output Sprocket Locating Plate	
162710-30	Bearing 6106P6/FJK	
162710-31	Bearing 6204P6/FJK	
162710-32	Bearing 6202-RS/FJK	
162710-33	Starting Shaft Washer III	
162710-34	Circlip	
162710-35	Ratchet Guide Comp.	
162710-36	Starting Shaft Washer II	
162710-37	Starting Shaft Spring	
162710-38	Ratchet	
162710-39	Circlip 20	
162710-40	Starting Shaft Washer I	
162710-41	Starting Gear	
162710-42	Starting Shaft	
162710-43	Starting Shaft Spring Seat	
162710-44	Starting Torsion Spring	
162710-45	Starting Shaft Sleeve	
162710-46	Starting Shaft Washer IV	
162710-47	Bearing HK152312	

E-11 变档机构 GEARSHIFT DEVICE



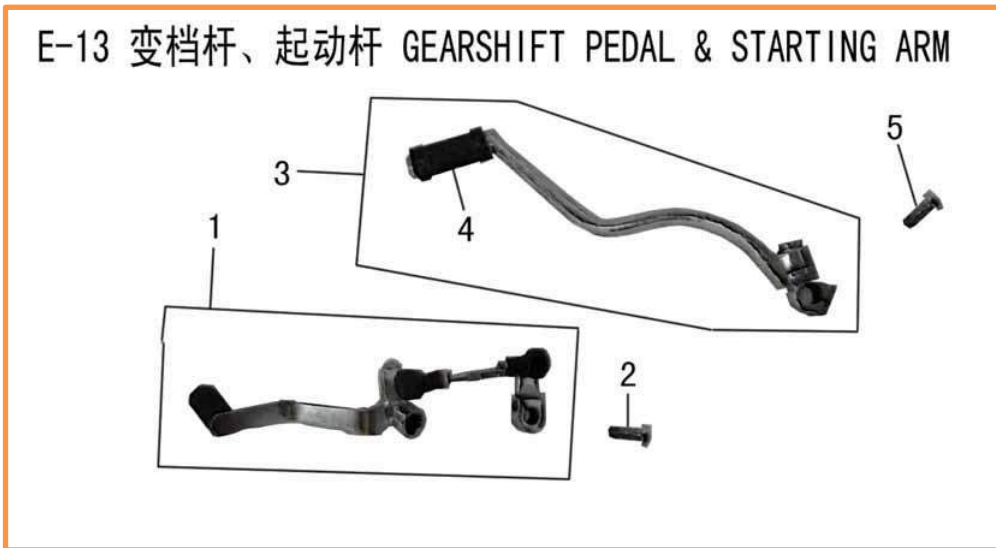
162711-1	Gearshift Shaft Assy	
162711-2	Fork III	
162711-3	Fork II	
162711-4	Fork Shaft	
162711-5	Fork I	
162711-6	Gearshift Cam	
162711-7	Limit Block	
162711-8	Limit Block Torsion Spring	
162711-9	Gearshift Shaft	
162711-10	Gearshift Shifter	
162711-11	Gearshift Spring	
162711-12	Gearshift Shaft Return Spring	
162711-13	Gearshift Drum	
162711-14	Gearshif Shaft Washer	
162711-15	Bolt M6x20	
162711-16	Gear Indicator Contactor Comp.	
162711-17	Circlip 12	
162711-18	Circlip 14	
162711-19	Bolt M6x25	
162711-20	Gearshift Cam Pin, B4x10	

E-12 化油器 CARBURETOR

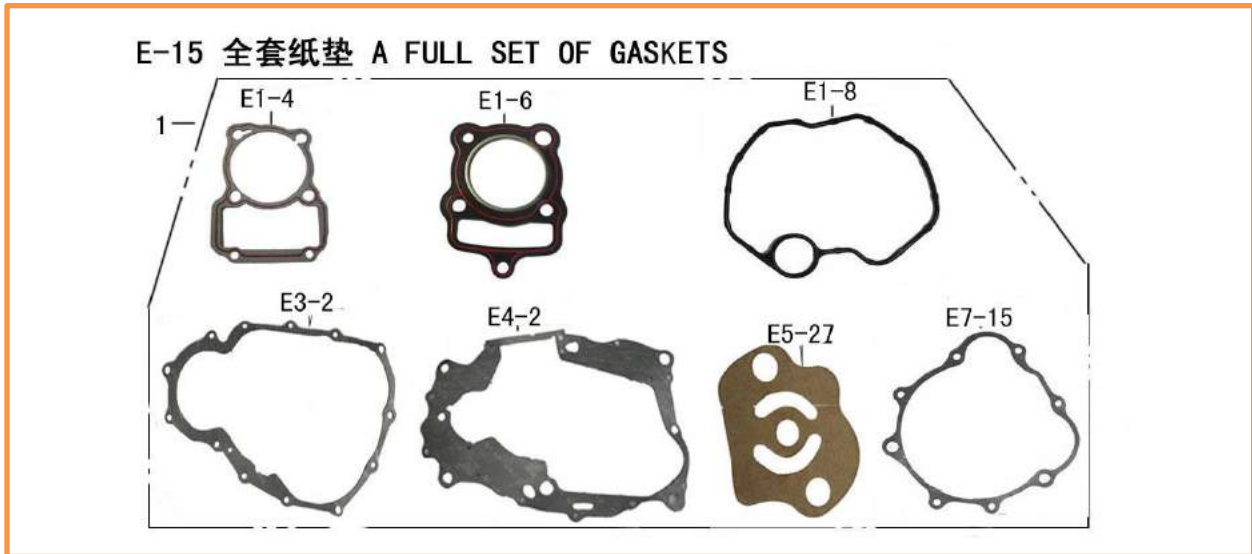


162712-1	Carburetor Assy	
----------	-----------------	--

E-13 变档杆、起动杆 GEARSHIFT PEDAL & STARTING ARM

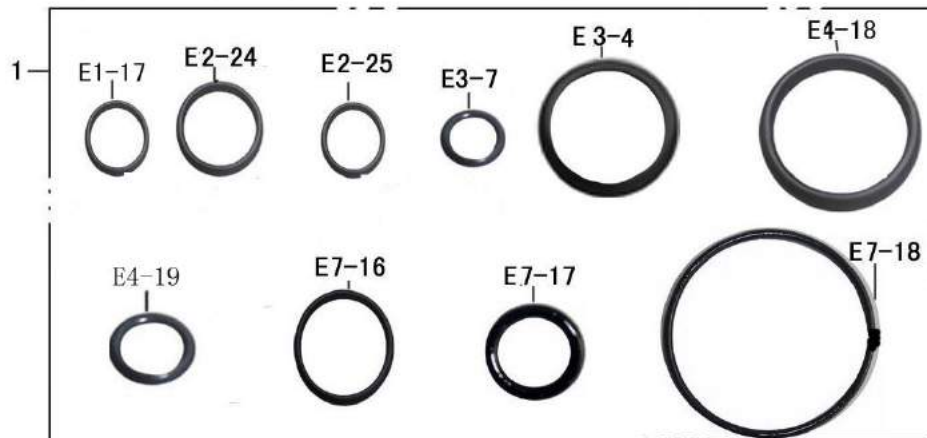


162713-1	Gearshift Pedal Assy	
162713-2	Bolt M6x20	
162713-3	Starting Arm Assy	
162713-4	Starting Arm Assy Rubber Boot	
162713-5	Bolt M8x40	



162715-1	A Full Set Of Gaskets	
----------	-----------------------	--

E-16 全套 O 型圈 A FULL SET OF O-RINGS



162716-1	A Full Set Of O-Rings	
----------	-----------------------	--

E-17 全套油封 A FULL SET OF OIL SEALS



162717-1	A Full Set Of Oil Seals	
----------	-------------------------	--


E-18 全套轴承 A FULL SET OF BEARINGS



162718-1	A Full Set Of Bearings	
----------	------------------------	--

LF 150-7

Parts Catalog

- **Always wear a helmet while driving Motorcycles**
 - **Always have your headlights on while driving, even during the day – for safety reasons and longer battery life**
 - **Make sure all lights work properly at all times**
 - **Always drive with Insurance Coverage, Licensed Motorcycle and Motorcycle Driver's License**
 - **Change oil (SAE15W/40SE) after the first 500 KMs and after every 2,000 KMs**
 - **Use Regular Gas**
 - ***Always Drive with Awareness for SAFETY.***
- 



Meilun Motorcycle Warranty Policy

Meilun Motorcycles are under 3 months or 2,000 KMs warranty – whichever comes first. Specific items under warranty are:

- The Engine, and its related parts
- Cables, Horn, Switches
- And any other manufacturer's defect on motorcycle.

The following items are *not* covered under this warranty:

- Tires, Tubes, Chain & Sprockets
- Covers, Mirrors, Light Lenses, Alarm System
- Battery – unless convincing evidence shows defect
- And any other damages or wear & tear occurring under the owner's care.